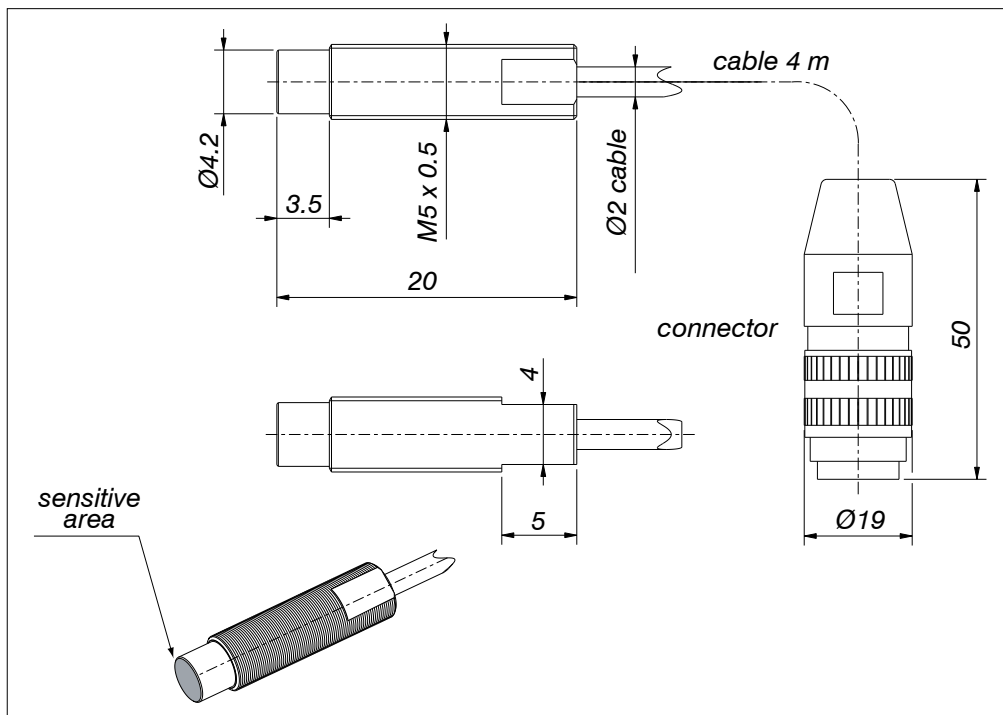




EDDY CURRENT SENSOR FOR DISPLACEMENT CHECKING



Technical details

Technical specifications

Measuring range <i>with C40 target</i>	550 µm
Minimum gap <i>with C40 target</i>	50 µm
Length	20 mm
Thread	M5 × 0.5
Cable length	4 m
Cable diameter	2 mm
Cable sheath material	EU <i>(polyurethane-polyether)</i>
Thermal drift <i>with C40 target</i>	±0.3 µm/°C
Target min. diameter	10 mm
Max. No. of targets that can be saved	5
Operating temperature	5 ÷ 70 °C
Protection degree <i>(IEC 60529 standard)</i>	IP67

Precision

	CS5I	CS5IS
measuring range 0.05 ÷ 0.15 mm	±1.0 µm	±0.2 µm
measuring range 0.05 ÷ 0.3 mm	±1.0 µm	±0.5 µm
measuring range 0.05 ÷ 0.6 mm	±1.0 µm	±1.0 µm

CAUTION!



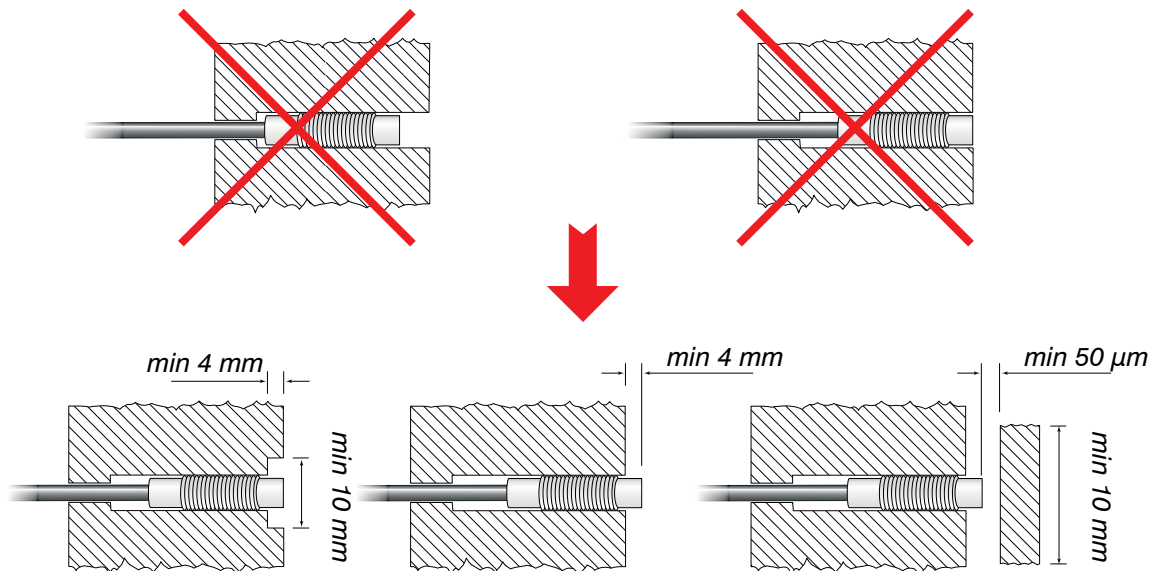
Check that there are no metal parts (metal dust, shavings from machining, etc.) in the space between the sensor and the target.

Do not shorten or lengthen the sensor cable. If the cable connector is detached, make sure you reconnect the sensor to its own corresponding connector, because the connector contains data about that particular type of sensor.

Fitting instructions

NOTE: ensure that the sensor is secured with a locknut.

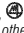
NOTE: the end of the sensor must project from the fixing material to avoid affecting the measurement. If necessary, cut away the material around the sensor as illustrated.



www.marposs.com

For a full list of address locations, please consult the Marposs official website

D6C07600G0 - Edition 06/2016 - Specifications are subject to modifications
© Copyright 2014-2016 MARPOSS S.p.A. (Italy) - All rights reserved.

MARPOSS,  and Marposs product names/signs mentioned or shown herein are registered trademarks or trademarks of Marposs in the United States and other countries. The rights, if any, of third parties on trademarks or registered trademarks mentioned in the present publication are acknowledged to the respective owners.

Marposs has an integrated system to manage the Company quality, the environment and safety, attested by ISO 9001, ISO 14001 and OHSAS 18001 certifications. Marposs has further been qualified EAQF 94 and has obtained the Q1-Award.



Download the latest version of this document