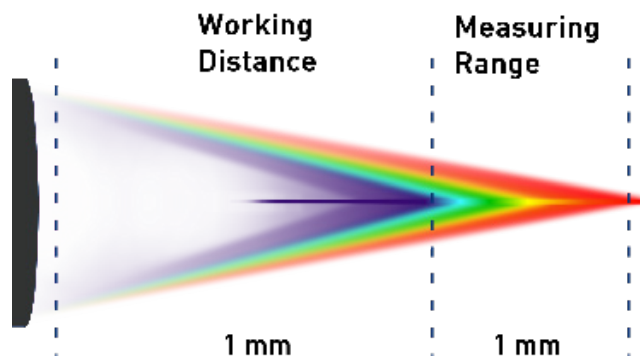


ENDO 1/D4-R

NEW
2020

MARPOSS STIL

Chromatic Confocal Controller



Working with any STIL optoelectronic controller, the ENDO series allows precise measurements with a sub-micron resolution.

- Small external diameters (from 4mm to 8mm), ideal for the integration of several sensors
- Axial or radial screws with 90 degree return
- Lightweight and compact for easy integration

All materials



Industrial



Accurate measurement

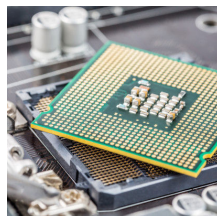


DESIGNED FOR

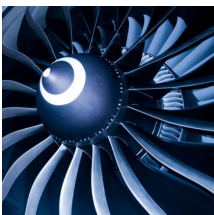
Mechanics



Semiconductors



Aerospace



Glass



PERFECT FOR

Distance



Dimension



Thickness



Shape



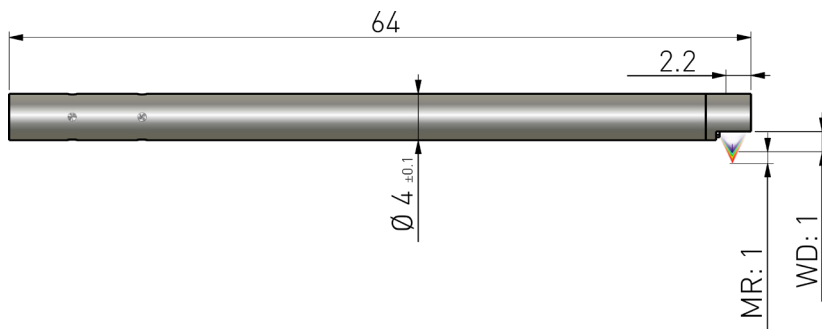
ENDO 1/D4-R

NEW
2020

MARPOSS
STIL

Chromatic Confocal Controller

DIMENSIONAL DRAWING*



SPECIFICATIONS *

Nota: All dimensions are in mm

Product	Unit	ENDO 1/D4-R
Order code		O3PS0341002
Measuring Range	mm	1
Working Distance	mm	1
Numerical aperture		0.16
Max. sample slope	°	± 7.5
Radial model		Radial
Max. linearity error**	µm	± 0.2
Static noise**	nm	100
Axial resolution**	µm	0.6
Lateral resolution	µm	6.5
Spot size	µm	13.2
Photometric efficiency		10
Min. measurable thickness***	µm	300
Length	mm	64
Diameter	mm	4
Weight	g	3.5

** With CCS electronics (PRIMA & OPTIMA+)

*** Typical value considering a layer of glass, i.e. considering a refractive index n=1.51

ASSOCIATED WITH INTEGRATED OPTICAL FIBER

CONTROLLER



- 3 m optical fiber included with E2000 connector
- Special fiber length available on demand



- ZENITH
- PRIMA, - OPTIMA +
- PRIMA 2
- LIGHTMASTER
- STIL-DUO

www.stil-sensors.com

info@stil-sensors.com

+33 (0)4 42 39 66 51

Some of the items supplied by STIL S.A.S., or parts of them, may be subject to export control if exported outside the European Union, or may be subject to restrictive measures adopted by the competent national, supranational or international authorities. Buyer of the items delivered by STIL S.A.S. shall comply with all applicable export control and sanctions laws and regulations.

*Specifications are subject to modifications

PH/4-100-N2-0822