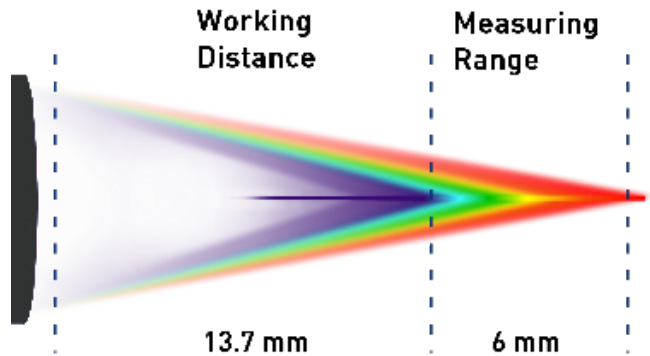


EVEREST K6

NEW
2020

MARPOSS
STIL

Chromatic Confocal Controller



STIL latest development is the new chromatic confocal sensor head Everest K6 which combines extended measuring range with highest performances:

- Multiple applications, from roughness to 3D topography (Swiss Army knife equivalent)
- Large Numerical Aperture (up to 0.7) to measure high slopes and tilted samples
- Several measuring ranges at millimeters scales

Slope Angle

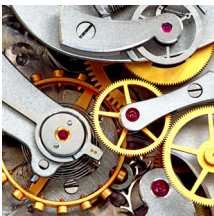


Accuracy

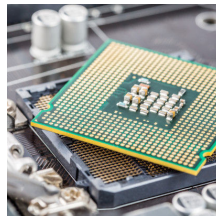


DESIGNED FOR

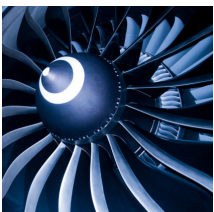
Mechanics



Semiconductors



Aerospace



Glass

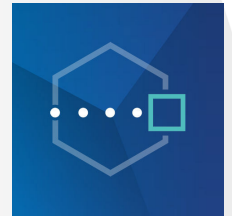


PERFECT FOR

Distance



Displacement



Thickness



Shape



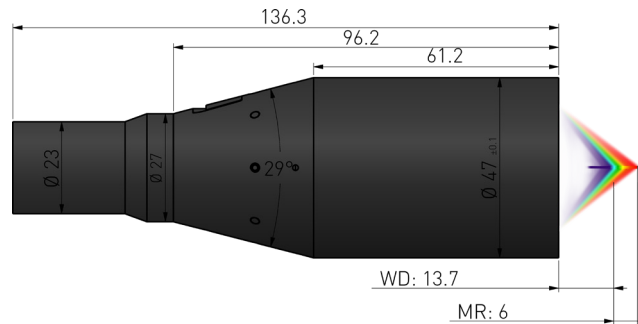
EVEREST K6

NEW
2020

MARPOSS STIL

Chromatic Confocal Controller

DIMENSIONAL DRAWING*



Nota: All dimensions are in mm

SPECIFICATIONS*

Product	Unit	EVEREST K6
Order code		03PS0461001
Measuring Range	mm	6
Working Distance	mm	13.7
Numerical Aperture		0.55
Max. slope angle	°	± 32
Axial model		Axial
Max. linearity error**	µm	± 0.35
Static noise**	nm	200
Axial resolution**	µm	1.2
Lateral resolution	µm	5.2
Spot size	µm	10.4
Photometric efficiency		26
Min. measurable thickness***	µm	150
Length	mm	136.3
Diameter	mm	47
Weight	g	360

** With CCS electronics (PRIMA & OPTIMA+)

*** These are typical values considering a layer of glass, i.e. considering a refractive index n=1.51

ASSOCIATED WITH

OPTICAL FIBER

- Standard cladding
- Stainless steel cladding
- Armored fiber

CONTROLLER



- ZENITH
- PRIMA, - OPTIMA +, PRIMA 2
- LIGHTMASTER
- STIL-DUO

www.stil-sensors.com

info@stil-sensors.com

+33 (0)4 42 39 66 51

Some of the items supplied by STIL S.A.S., or parts of them, may be subject to export control if exported outside the European Union, or may be subject to restrictive measures adopted by the competent national, supranational or international authorities. Buyer of the items delivered by STIL S.A.S. shall comply with all applicable export control and sanctions laws and regulations.

* Specifications are subject to modifications

PPS003-100-N1-0822