

Slope Angle



$\pm 42^\circ$

Accuracy



$\pm 0.15 \mu\text{m}$

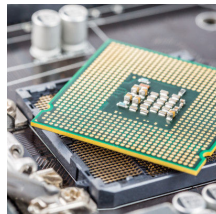
After the ground-breaking sensor head Everest K1, STIL latest development is the new Chromatic Confocal sensor head Everest K2 which harbors extended measuring range with similar performances.

DESIGNED FOR

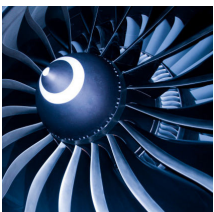
Mechanics



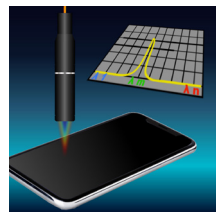
Semiconductors



Aerospace

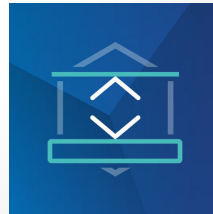


Metrology



PERFECT FOR

Distance



Roughness



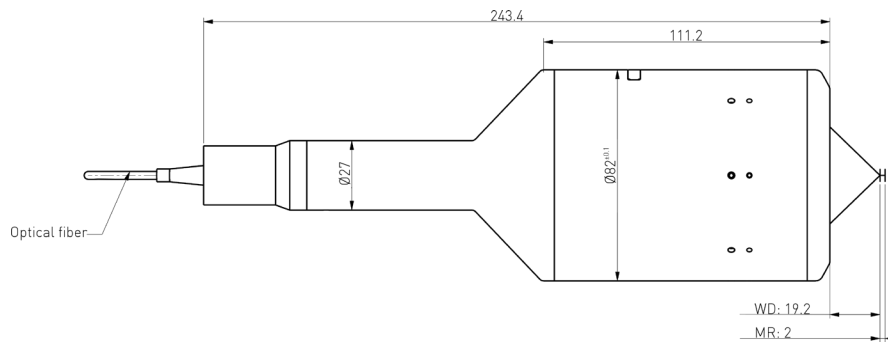
Thickness



Shape



DIMENSIONAL DRAWING*



Nota: All dimensions are in mm

SPECIFICATIONS*

Product		Everest K2
Order code		03PS0472001
Measuring Range	mm	2
Working Distance	mm	19.2
Numerical Aperture		0.67
Max. slope angle	°	± 42
Axial or folded model		Axial
Max. linearity error**	µm	± 0.15
Static noise**	nm	75
Axial resolution**	µm	0.45
Lateral resolution	µm	3.8
Spot size (diameter)	µm	7
Photometric efficiency		51
Min. measurable thickness	µm	100
Length	mm	243.4
Diameter	mm	82
Weight	g	1250

** With CCS electronics (PRIMA & OPTIMA+)

* Specifications are subject to modifications

ASSOCIATED WITH

OPTICAL FIBER

- Standard cladding
- Stainless steel cladding
- Armored fiber

CONTROLLER



- PRIMA, OPTIMA +, STIL-DUO
- PRIMA 2, PRIMA 4
- MULTIMA 12
- LIGHTMASTER