

## AE-C ACOUSTIC EMISSION SENSOR

### Properties

- Suitable for all ARTIS monitoring systems
- Acoustic emission sensor for detecting breakage of shank-tools and for monitoring of dressing processes
- Especially suitable for small shank-tools (e.g. gun drills)
- Ideal choice for use in multi-spindle drilling heads
- Degree of protection IP66/IPx7, resistant to cooling lubricants

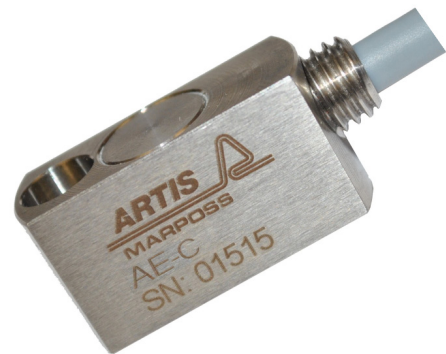


Illustration similar

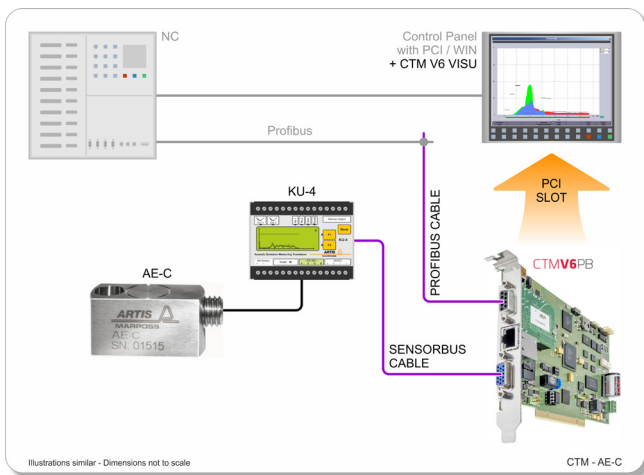
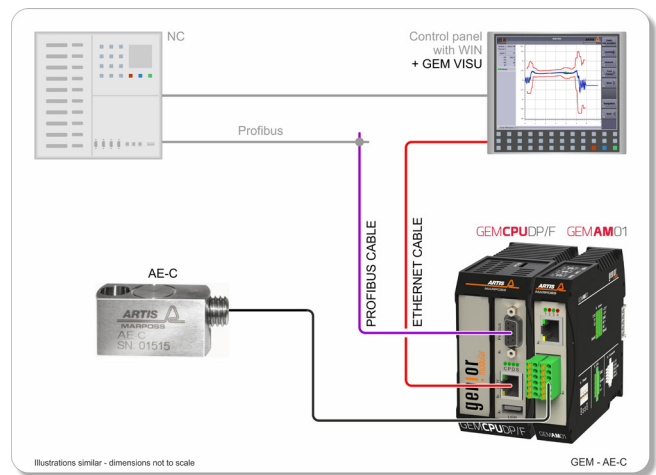


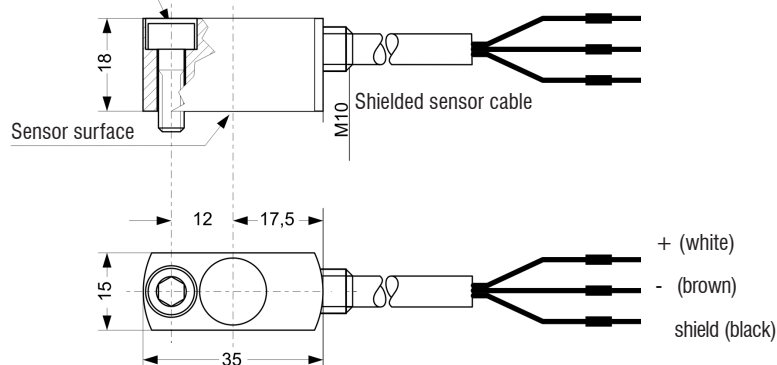
Illustration similar



Application example:  
**AE-C** and **KU-4** with the **CTM** Tool and Process Monitoring System

Application example:  
**AE-C** and **AM-01** with the **GENIOR MODULAR** Tool and Process Monitoring System

Cylinder head screw M 5 x 15 DIN 912



ARTICLE NUMBER	
CODE	O3PZ111100x (x = see variants)
VARIANTS	
AE-C, 10 M CABLE	O3PZ1111001
AE-C, 15 M CABLE	O3PZ1111005
AE-C, 25 M CABLE	O3PZ1111008

VOLTAGE SUPPLY	via measuring transducer (KU-4 or AM-01)
FREQUENCY RANGE	10 to 400 kHz
OVERLOAD SHOCK	10.000 g (Peak)
CONFORMITY	CE

DIMENSIONS	see drawing
WEIGHT	
AE-C, 10 M CABLE	0.482 kg
AE-C, 15 M CABLE	0.701 kg
AE-C, 25 M CABLE	1.140 kg
MATERIAL	Chromim nickel steel, cast
OPERATING TEMPERATURE	0 °C ... +60 °C
DEGREE OF PROTECTION	IP66/IPx7 resistant to cooling lubricants
CABLE LENGTHS	see variants
CONTACTING	screw connection M5

PU CABLE	
DIAMETER	6 mm
CONDUCTOR SIZE	AWG 26
BENDING RADIUS	7.5 x cable diameter
WIRE CONFIGURATION	conductor, fine wired according to VDE 0295
CONFORMITY	CE, UKCA



[www.marposs.com](http://www.marposs.com)

For a full list of address locations, please consult the Marposs official website

ODN6405EN01 – Edition 04/2022 – Specifications are subject to modifications  
© Copyright 2010-2022 MARPOSS S.p.A. (Italy) – All rights reserved.

MARPOSS,  and Marposs product names/signs mentioned or shown herein are registered trademarks or trademarks of Marposs in the United States and other countries. The rights, if any, of third parties on trademarks or registered trademarks mentioned in this publication are acknowledged to the respective owners.

Marposs has an integrated system for Company quality, environmental and safety management, with ISO 9001, ISO 14001 and OHSAS 18001 certification.



Download the latest version of this document

